



**TOWN OF STRATFORD
PURCHASING DEPARTMENT
STRATFORD, CONNECTICUT**

BID No. 2017-009

Issued : April 4, 2017

Subject : High Lumen LED Flood Lights

The Town of Stratford through the Office of the Purchasing Agent, will receive SEALED BIDS for furnishing the equipment described in the accompanying specifications, in accordance with the instructions, conditions and reservations that follow:

A. CLOSING DATE:

Bids will be received until 3:00 pm April 11, 2017, at which time they will be publicly opened and read. All bidders are invited to attend this public opening, which will be held immediately following the closing time specified above, in the Office of the Purchasing Agent, Room 202, Town Hall, 2725 Main Street, Stratford, CT 06615.

Any bid may be withdrawn prior to the above-scheduled time for receiving bids or authorized postponement thereof. Any bids received after the date and time specified shall NOT be considered. No bidder may withdraw a bid within 45 days after the actual opening thereof.

B. INSTRUCTIONS:

Bid proposals are to be submitted (**TWO COPIES**) in a sealed envelope and clearly marked with the bid number and description on the outside of the envelope, including all outer packaging (DHL, FedEx, UPS, etc).

Bids must be delivered to:

Purchasing Department
Stratford Town Hall – Rm 202
2725 Main Street
Stratford, CT 06615

C. CONDITIONS:

Bid Surety:

No bid surety is required.

Payment: Final payment will be made upon the acceptance of the completed work by an authorized representative of the Town of Stratford. NO partial payments will be made. Invoices covering the work specified herein should be forwarded to the Purchasing Department upon completion of the project.

Taxes: The Town of Stratford is exempt from all State and Federal taxes. Do not include these amounts in your quotation.

Addendums: All addendums will be posted on the town website, www.townofstratford.com. It is the responsibility of the bidder to check the website for any addendums before submitting their bid.

F.O.B. Destination: All prices quoted must be net delivered to destination.

Conflict of Interest: No public official or employee shall, while serving as such, have any financial interest or engage in any business, employment, transaction or professional activity or incur any obligation of any nature which is in substantial conflict with the proper discharge of his/her duties or employment in the public interest.

D. RESERVATIONS:

The Town of Stratford may consider informal any proposal not prepared and submitted to the Town in accordance with the provisions herein stated. The Town of Stratford reserves the right to reject any or all proposals or parts of proposals; to waive defects in same proposals; or to accept any proposal or part thereof deemed to be in the best interests of the Town of Stratford.

Michael Bonnar, Purchasing Agent

SPECIFICATIONS:

The Town is looking to purchase 9 units: HLF2 LED P2 WFL MVOLT IS DDBXD

See attached spec sheet.

Bids should match all specifications.

For questions or additional information contact Dan Wakeling at 203-385-4080



HLF2

High Lumen LED Flood Luminaire



Catalog Number
Notes
Type

Hit the Tab key or mouse over the page to see all interactive elements.

A+ Capable Luminaire

This item is an A+ capable luminaire, which has been designed and tested to provide consistent color appearance and system-level interoperability.

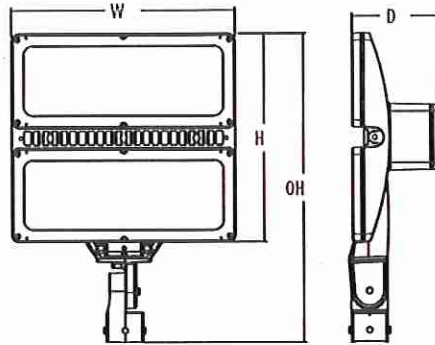
- All configurations of this luminaire meet the Acuity Brands' specification for chromatic consistency
- This luminaire is A+ Certified when ordered with DTL® controls marked by a shaded background. DTL DLL equipped luminaires meet the A+ specification for luminaire to photocontrol interoperability¹
- This luminaire is part of an A+ Certified solution for ROAM^{®2} or XPoint™ Wireless control networks, providing out-of-the-box control compatibility with simple commissioning, when ordered with drivers and control options marked by a shaded background¹

To learn more about A+, visit www.acuitybrands.com/aplus.

1. See ordering tree for details.
2. A+ Certified Solutions for ROAM require the order of one ROAM node per luminaire. Sold Separately: [Link to Roam](#); [Link to DTL DLL](#)

Specifications

EPA:	5.4 ft ² (0.50 m ²)
Depth:	10" (25.4 cm)
Width:	25" (62.5 cm)
Height:	22" (55.8 cm)
Overall Height:	31" (78.4 cm)
Weight:	70 lbs (31.75 kg)



A+ Capable options indicated by this color background.

Ordering Information

EXAMPLE: HLF2 LED P1 40K WFL MVOLT IS DDBXD

HLF2 LED	Series	Performance package	Color temperature	Distribution	Voltage	Mounting	Options	Finish required
HLF2 LED	P1		30K 3000 K	VNSP Very narrow spot (7°) ¹	MVOLT ²	Shipped included	Shipped installed	DDBXD Dark bronze
	P2		40K 4000 K	NSP Narrow spot (15°)	120 ²	IS Integral splitter (fits 2-7/8" O.D. tenon)	PER5 NEMA twist-lock receptacle only (no controls) ^{1,4}	DBLXD Black
	P3		50K 5000 K	SP Spot (22°)	208 ²	YKC62 Yoke with 16-3 SO cord	SF Single fuse (120, 277, 347V) ⁵	DWHXD White
				NFL Narrow flood (45°)	240 ²	DMG 0-10 dimming driver (no controls)	DF Double fuse (208, 240, 480V) ⁵	
				MNFL Medium narrow flood (70°)	277 ²		CFB Black faceplate	
				MFL Medium flood (6x6)	347	Shipped separately ⁶	UBV Upper/bottom visor (universal)	
WFL Wide flood (6x7)	480		FV Full visor					
						WG Wire guard		
						VG Vandal guard (polycarbonate)		



Obtaining Information

Accessories

Ordered and shipped separately.

FTS CG6 DDBXD U	Spitter for 2-3/8" to 2-7/8" OD tenons; mates with yoke mount (specify finish)	HLF2UBV DDBXD U	Upper/bottom visor accessory (specify finish)
DSHORT SBK U	Shorting cap ⁷	HLF2FV DDBXD U	Full visor accessory (specify finish)
DLL127F 1.5 JU	Photocell - SSL twist-lock (120-277V) ⁷	HLF2VG DDBXD U	Vandal guard accessory (specify finish)
DLL347F 1.5 CUL JU	Photocell - SSL twist-lock (347V) ⁷	HLF2WG U	Wire guard accessory
DLL480F 1.5 CUL JU	Photocell - SSL twist-lock (480V) ⁷		

For more mounting options, visit our [Floodlighting Accessories](#) pages.

For more control options, visit [DCL](#) and [DCA](#) online.

NOTES

- VNSP includes an external reflector that ships separately. For installation instructions, refer to the instruction sheet provided with the reflector. VNSP is limited to aiming from 0-90° only.
- MOVOLT driver operates on any line voltage from 120-277V. Specify 120, 208, 240 or 277 options only when ordering with fusing (SF, DF options).
- Specifies a ROAM[®] enabled luminaire with 0-10V dimming capability. Additional hardware and services required for ROAM[®] deployment; must be purchased separately. Call 1-800-442-6745 or email: sales@roamservices.net.
- For units with a photocontrol receptacle, the mounting must be restricted to ± 45° from horizontal aim per ANSI C136.10-2010.
- Single fuse (SF) requires 120, 277 or 347 voltage option. Double fuse (DF) requires 208, 240 or 480 voltage option.
- Also available as separate accessories; see Accessories information at left.
- Requires luminaire to be specified with PERS option. Ordered and shipped as a separate line item.

Performance Data

Lumen Output

Lumen values are from photometric tests performed in accordance with IESNA LM-79-08. Data is considered to be representative of the configurations shown, within the tolerances allowed by Lighting Facts. Contact factory for performance data on any configurations not shown here.

Performance Package	System Watt	Dist. Type	Foot Candles		30K (3000) K70 (9)			50K (5000) K70 (9)			50K (5000) K70 (9)				
			ft.	ft.	Foot C.	lumens	lm/ft ²	Foot C.	lumens	lm/ft ²	Foot C.	lumens	lm/ft ²		
			1	5	10	15	20	25	30	35	40	45	50		
P1	328W	VNSP	30	30	11	10	434,853	31,127	95	450,227	32,233	93	456,410	32,670	100
		NSP	50	49	26	25	127,616	36,042	110	132,149	37,322	114	133,943	37,829	115
		SP	52	50	31	30	119,648	37,432	114	123,897	38,762	118	125,579	39,288	120
		NFL	76	75	49	43	55,292	37,531	114	57,256	38,864	118	58,033	39,391	120
		MNFL	92	91	68	67	31,938	37,411	114	33,521	39,266	120	33,521	39,266	120
		MFL	101	114	84	103	18,401	37,904	116	19,655	39,250	120	14,772	39,783	121
		WFL	124	133	107	133	14,073	37,576	115	14,226	38,911	119	17,277	39,439	120
P2	487W	VNSP	30	30	11	10	596,587	42,704	83	617,776	44,221	91	626,163	44,822	92
		NSP	50	49	26	25	175,081	49,447	102	181,259	51,203	105	183,760	51,859	107
		SP	52	51	31	30	164,143	51,355	105	169,978	53,179	109	172,286	53,901	111
		NFL	76	75	49	48	75,857	51,489	106	78,551	53,318	109	79,617	54,042	111
		MNFL	92	91	68	67	43,817	51,326	105	45,373	53,149	109	45,809	53,870	111
		MFL	101	114	84	103	25,250	52,000	107	26,119	53,847	111	20,269	54,578	112
		WFL	124	133	107	133	19,310	51,550	106	19,590	53,381	110	23,207	54,106	111
P3	595W	VNSP	28	28	10	9	787,413	49,435	81	837,947	52,610	88	841,908	52,859	88
		NSP	45	45	23	23	239,669	56,590	95	255,050	60,222	101	256,256	60,507	101
		SP	49	48	29	29	209,101	58,502	98	222,520	62,257	104	223,572	62,551	105
		NFL	72	71	46	45	94,977	58,019	97	101,072	61,742	103	101,550	62,034	104
		MNFL	87	85	64	63	56,393	57,755	97	60,012	61,461	103	60,296	61,752	103
		MFL	100	113	82	102	24,570	60,373	101	31,332	64,248	107	20,090	64,552	108
		WFL	123	132	107	134	18,790	59,775	100	23,565	63,611	106	23,496	63,912	107

Lumen Ambient Temperature (LAT) Multipliers

Use these factors to determine relative lumen output for average ambient temperatures from 0-40°C (32-104°F).

Ambient Temp	Temperature	Multiplier
0°C	32°F	1.05
10°C	50°F	1.01
20°C	68°F	1.01
25°C	77°F	1
30°C	86°F	0.98
40°C	104°F	0.94

Projected LED Lumen Maintenance

Operating Hours	0	25,000	50,000	100,000	
Lumen Maintenance Factor	HLF2 LED P1	1	0.90	0.85	0.81
	HLF2 LED P2	1	0.90	0.85	0.81
	HLF2 LED P3	1	0.93	0.89	0.83

Electrical Load

Package	System Watt	Current (A)					
		120V	208V	240V	277V	347V	480V
P1	328W	2.8	1.6	1.4	1.2	1.0	0.8
P2	487W	4.1	2.3	2.0	1.8	1.4	1.1
P3	595W	5.0	2.8	2.4	2.1	1.7	1.3



TOWN OF STRATFORD
BID 2017-009
High Lumen LED Flood Lights
BID FORM

High Lumen LED Flood Light \$ _____/ea Total for 9 \$ _____

Company Name: _____

Address: _____

Phone: _____ Fax: _____ Email: _____

Authorized Signature: _____ Date: _____

Name: _____

Title: _____

Provide detailed description of the item you are proposing.